

SAFETY & INSTRUCTION MANUAL

**PPQ M2**



Semi-Automatic Pistol

Cal. .22 L.R.



Read the instructions and warnings in this manual  
**CAREFULLY BEFORE** using this firearm.

**WALTHER ARMS, INC.**

# PPQ M2

VARIANTS

## PPQ TACTICAL 4.3"



PPQ 5"



# PPQ M2

## 1. YOUR SAFETY RESPONSIBILITIES

### **WARNING:**

READ THESE INSTRUCTIONS AND WARNINGS CAREFULLY. BE SURE YOU UNDERSTAND THESE INSTRUCTIONS AND WARNINGS BEFORE USING THIS FIREARM. FAILURE TO READ THESE INSTRUCTIONS AND TO FOLLOW THESE WARNINGS MAY RESULT IN SERIOUS INJURY OR DEATH TO YOU AND OTHERS.

This SAFETY & INSTRUCTION MANUAL should always accompany this firearm and be transferred with it upon change of ownership or when presented to another person.

A copy of the SAFETY & INSTRUCTION MANUAL is available FREE upon request from:

WALTHER ARMS, Inc.  
Attn: Service Dept  
7700 Chad Colley Boulevard  
Fort Smith, AR 72916

Phone: 1-479-242-8500-507  
E-mail: [customerservice@waltherarms.com](mailto:customerservice@waltherarms.com)  
[www.WaltherArms.com](http://www.WaltherArms.com)

**Note:** This manual refers to the use of the pistol by civilian users. Instructions for law enforcement use may differ from what is described in this manual. Throughout this instruction manual, position designations such as “left”, “right”, “forward”, “rear”, and so on, are referenced to a pistol held in a normal firing position. In other words, pointed away from the shooter, barrel in a generally horizontal direction, and with the grip of the pistol pointing downwards. Explanations in this manual are based on right hand operation. Left-handed users should operate vice versa. Note that the illustrations in this manual are for explanation purposes and may differ from the actual gun.

**DISCLAIMER OF LIABILITY:** The first concern when handling any firearm is safety. Failure to follow the instructions in this manual could result serious bodily injury or even death. WALTHER® specifically disclaims any and all liability from anyone arising out of the use of this firearm and its accessories. Under no circumstances shall WALTHER® be responsible for incidental or consequential damages with respect to economic loss or injury to persons or property due to negligence, improper use, failure to follow instructions in this manual, unsafe handling, failure to maintain the pistol, unauthorized replacement of parts, disregard of statutory rules or laws or any other modification to the pistol.

## CONTENTS

<b>1. YOUR SAFETY RESPONSIBILITIES</b>	<b>6 - 13</b>
1.1 Safety is your number one responsibility!	6 - 10
1.2 Safe storage and transportation	11 - 13
<b>2. AMMUNITION</b>	<b>14</b>
<b>3. PRODUCT DESCRIPTION</b>	<b>15 - 18</b>
3.1 Functional Elements	15
3.2 Loaded chamber indicator	16
3.3 Drop safety (automatic internal safety)	17
3.4 Magazine release	17
3.5 Slide stop	18
<b>4. OPERATING INSTRUCTIONS</b>	<b>19 - 24</b>
4.1 Inspection before use	19
4.2 Inspection after use	19
4.3 Loading	20
4.3.1 Loading the magazine	20
4.3.2 Loading the pistol	21
4.4 Firing	21
4.5 Magazine change	22
4.6 Unloading the pistol	22
4.7 Clearing misfires	23
4.8 Decocking the hammer	24
<b>5. STRIPPING, LUBRICATION, MAINTENANCE</b>	<b>25 - 28</b>
5.1 Stripping / reassembly of main assemblies PPQ 4"/5"	25 - 26
5.2 Stripping / reassembly of main assemblies, PPQ TACTICAL (with silencer adapter)	26 - 27
5.2 Cleaning	28
<b>6. ADJUSTING THE PISTOL</b>	<b>29 - 30</b>
6.1 Magazine release	29
6.2 Sight	30
<b>7. SPECIAL ACCESSORIES</b>	<b>31</b>
<b>8. STORAGE</b>	<b>31</b>
<b>9. REPAIR OF WALTHER® PISTOLS</b>	<b>32</b>
<b>10. WARRANTY</b>	<b>33 - 35</b>

### 1. YOUR SAFETY RESPONSIBILITIES

#### 1.1 SAFETY IS YOUR NUMBER ONE RESPONSIBILITY!

At home, in the field, at the range, or anywhere, the first concern of every firearm owner should be safety. Apply the following safety rules in every situation, with any kind of firearm. If you feel uncertain about any operational aspects of your handgun, please contact:

WALTHER ARMS, Inc. at 1-479-242-8500 ext. 507 before proceeding with its operation.

#### **⚠ WARNING:**

YOU MUST FOLLOW ALL OF THESE SAFETY RULES TO ENSURE THE SAFE USE OF YOUR FIREARM. THE FAILURE TO FOLLOW THESE BASIC FIREARM SAFETY RULES MAY RESULT IN AN UNINTENDED DISCHARGE WHICH COULD CAUSE SERIOUS PERSONAL INJURY OR DEATH TO YOU OR OTHERS AND DAMAGE TO PROPERTY.

- **ALWAYS KEEP YOUR FIREARM POINTED IN A SAFE DIRECTION.**  
Never point a firearm at anyone or anything you do not intend to shoot, whether or not it is loaded. This is particularly important when loading, unloading, or field stripping the gun. ALWAYS control the direction of the firearm.
- **ALWAYS TREAT EVERY FIREARM AS IF IT IS LOADED AND WILL FIRE IF THE TRIGGER IS PULLED.**

Do not take anyone's word that the firearm is unloaded – always check for yourself. Never pass your firearm to another person until the action is open and you visually check that it is unloaded. Keep your firearm unloaded and safely stored when not in use.



## 1. YOUR SAFETY RESPONSIBILITIES

- **NEVER PLACE YOUR FINGER INSIDE THE TRIGGER GUARD OR ON THE TRIGGER UNLESS YOU INTEND TO FIRE.**

Ensure that other objects do not touch the trigger.

- **ALWAYS BE SURE OF YOUR TARGET AND WHAT IS BEYOND IT.**

Always be sure of where the bullet will strike and shoot only where there is a safe backstop free of obstructions, water or other surfaces which can cause ricochets. Be sure your bullet will stop behind your target. Bullets can glance off many surfaces like rocks or surface water and travel in unpredictable directions with considerable velocity. Do not fire randomly into the sky.

- **NEVER CROSS OBSTACLES SUCH AS FENCES OR STREAMS WITH A LOADED FIREARM.**

- **SAFE GUN HANDLING IS YOUR PERSONAL RESPONSIBILITY AT ALL TIMES.**

Firearms are dangerous and can cause serious injury or death if they are misused or used inappropriately. Safety must be the prime consideration of anyone who owns or handles firearms. Accidents are the result of violating the rules of safe gun handling and common sense. Firearm safety training is available. Contact your dealer, law enforcement agency, local sportsman's club, etc. for more information.

- **YOU ARE RESPONSIBLE FOR THE FIREARM AT ALL TIMES.**

In owning a firearm, you must undertake full-time responsibility for your firearm's safety and security. You must protect yourself and all others against injury or death from misuse of the firearm 24 hours a day.

- **FIREARM SECURITY IS YOUR RESPONSIBILITY.**

You must secure firearms safely from children and/or unauthorized users. Your firearm should always be kept unloaded and locked when not in use. A lock has been provided for this purpose. Never assume that the use of this lock is sufficient to safely secure your firearm.

# PPQ M2

## 1. YOUR SAFETY RESPONSIBILITIES

You must always evaluate your personal situation and employ the security system(s) that meets your needs and prevents children and unauthorized users from gaining access to your firearm.

- **APPROPRIATE USE FOR YOUR FIREARM MEANS USING YOUR FIREARM FOR LEGAL PURPOSES.**

For example - target shooting and lawful resistance of deadly criminal force. It is your responsibility to ensure that you are in compliance with all applicable laws and ordinances regarding the use of your firearm.

- **NEVER RELY ON MECHANICAL FEATURES ALONE.**

Only your safe gun-handling habits will ensure the safe use of your firearm. This is your responsibility.

- **ALWAYS SAFELY STORE AND SECURE YOUR FIREARM.**

Safe and secure storage of your firearm is one of your most important responsibilities. It is a full-time responsibility. You must always secure your firearm and ammunition separately so that they are not accessible to children and/or other unauthorized persons.

- **NEVER KEEP AMMUNITION IN THE SAME LOCATION AS THE HANDGUN.**

Store each in a separate and secure place.

- **ALWAYS WEAR EYE AND EAR PROTECTION THAT ARE SPECIFIED FOR FIREARM USE EVERY TIME YOU DISCHARGE YOUR FIREARM.**

Make sure others in the vicinity of where you will be shooting do so as well.

- **NEVER USE ALCOHOL OR DRUGS BEFORE OR WHILE SHOOTING.**

Do not use your firearm if you are on any medication which impairs, even slightly, your mental or physical ability.





## 1. YOUR SAFETY RESPONSIBILITIES

- **ALWAYS HAVE ADEQUATE VENTILATION.**

Discharging firearms in poorly ventilated areas, cleaning firearms, or handling ammunition may result in exposure to lead and other substances known to cause birth defects, reproductive harm, and other serious physical injury. Review the warnings and labels for all ammunition and cleaning products carefully. Wash hands thoroughly after exposure.

- **BEFORE HANDLING ANY FIREARM, UNDERSTAND ITS OPERATION.**

Not all firearms are the same. Familiarize yourself with the mechanical features of any firearm you intend to use. If you feel uncertain about any operational aspects of your handgun, please contact WALTHER ARMS, Inc. at 1-479-242-8500 ext. 7 before proceeding with its operation.

- **NEVER ALLOW A FIREARM TO BE USED BY INDIVIDUALS WHO DO NOT UNDERSTAND ITS SAFE OPERATION OR HAVE NOT READ THESE FIREARM SAFETY RULES.**

- **ALWAYS USE THE CORRECT AMMUNITION FOR YOUR PARTICULAR FIREARM** as indicated by the marking on the barrel. Never use non-standard, reloaded, or “handloaded” ammunition which has not been subjected to internal ballistic pressure testing.

- **BEWARE OF BARREL OBSTRUCTIONS.**

Be sure the barrel is clear of obstructions before shooting. Mud, water, snow or other objects may inadvertently lodge in the barrel bore. A small obstruction can cause a dangerous increase in pressure and may damage your firearm and cause injury or death to yourself and others.

- **BE SURE ALL ACCESSORIES, SUCH AS HOLSTERS AND GRIPS, ARE COMPATIBLE** with the handgun and that the accessories do not interfere with safe operation.

# PPQ M2

## 1. YOUR SAFETY RESPONSIBILITIES

- **NEVER DISASSEMBLE YOUR HANDGUN** beyond the field stripping procedure outlined in this manual. Improper disassembly or reassembly of your handgun may be dangerous and can lead to serious injury or death.
- **NEVER MANIPULATE, ADJUST OR CHANGE ANY OF THE INTERNAL COMPONENTS OF YOUR FIREARM** including the firing, sear, or drawbar. Improper manipulation of any internal component may affect the safety and reliability of your firearm and may cause serious injury or death.
- **NEVER ALLOW ANY ALTERATION OR REPLACEMENT OF PARTS IN YOUR WALTHER® FIREARM UNLESS PERFORMED BY A QUALIFIED GUNSMITH** using genuine WALTHER® parts. If you do otherwise, improper functioning of your firearm may occur and serious injury or death and damage to property may result.

### **WARNING**

SAFE USE OF A FIREARM IS YOUR PERSONAL RESPONSIBILITY AND THE FAILURE TO FOLLOW ALL OF THESE BASIC SAFETY RULES MAY RESULT IN

SEVERE PERSONAL INJURY OR DEATH TO YOU OR OTHERS. YOU ARE THE MOST IMPORTANT SAFETY DEVICE WHEN IT COMES TO THE USE OF YOUR FIREARM AND WALTHER® WILL NOT BE RESPONSIBLE FOR ANY PERSONAL INJURY, DEATH OR PROPERTY DAMAGE THAT RESULTS FROM:

- (1) THE CRIMINAL OR NEGLIGENT USE OF THIS HANDGUN;
- (2) A DISREGARD OF THESE SAFETY INSTRUCTIONS AND WARNINGS;
- (3) IMPROPER OR CARELESS HANDLING OF THIS FIREARM;
- (4) THE USE OF NON-STANDARD, DEFECTIVE, IMPROPER OR RELOADED AMMUNITION; OR
- (5) IMPROPER OR NEGLIGENT MODIFICATIONS OR REPAIRS TO THE HANDGUN.

## 1. YOUR SAFETY RESPONSIBILITIES

### 1.2 SAFE STORAGE AND TRANSPORTATION

#### **WARNING**

FIREARMS ARE DANGEROUS WHEN USED AND STORED IMPROPERLY – THEY POSE A RISK OF SERIOUS OR FATAL INJURIES.

FIREARMS CAN BE ESPECIALLY DANGEROUS TO CHILDREN WHEN THEY ARE STORED IN AN IRRESPONSIBLE AND UNSAFE MANNER.

FOR YOUR SAFETY AND THE SAFETY OF OTHERS, IT IS IMPERATIVE THAT YOU KEEP YOUR FIREARM LOCKED AND UNLOADED IN A SECURE PLACE.

THE AMMUNITION SHOULD BE STORED IN A SEPARATE, SECURE LOCATION WHEN IT IS NOT IN USE.

SAFE AND SECURE STORAGE OF YOUR FIREARM IS ONE OF THE MOST IMPORTANT RULES OF FIREARM SAFETY.

YOUR FAILURE TO FOLLOW THESE RULES MAY RESULT IN SERIOUS INJURY OR DEATH TO YOU OR OTHERS.

- **ALWAYS SECURE YOUR FIREARM IN A MANNER THAT WILL PREVENT UNAUTHORIZED ACCESS.**

Whenever your firearm is not in use, keep it unloaded and locked. Your safety and the safety of others requires that you always secure and store your firearm in a manner that will prevent unauthorized access. Never leave a firearm unattended unless it is locked, unloaded and secured.

- **ALWAYS USE THE LOCK PROVIDED BY WALTHER® TO SECURE YOUR FIREARM.**

Please read and follow the instructions packaged separately for the use of this lock. A lock, when properly used, can be an effective tool in preventing unauthorized access to your firearm. There are other alternative locks and safe storage containers available in the marketplace which may also be appropriate for your particular needs.

# PPQ M2

## 1. YOUR SAFETY RESPONSIBILITIES

Consult your local gun shop, hardware store, or local police department for guidance on the variety of other safe storage devices or practices which may be appropriate for your particular needs. By purchasing this firearm you have accepted the responsibility of safely securing the firearm at all times and preventing its unauthorized use. Never assume that the use of this lock alone is sufficient to safely secure your firearm. It is your personal responsibility to select and use whatever measures or practices that will enable you to be absolutely certain that your firearm is secure at all times.



**WARNING:**

NEVER LOCK A LOADED FIREARM AND NEVER LOAD A LOCKED FIREARM.

- **ALWAYS STORE YOUR FIREARM AND AMMUNITION SEPARATELY** so that they are not accessible to children or other unauthorized persons. Safe and secure storage of your firearm and ammunition are your responsibility. It is a full-time responsibility.
- **NEVER ASSUME THAT A “HIDING” PLACE IS A SECURE STORAGE METHOD.** Others may be aware of your storage location or come upon it by chance. It is your personal responsibility to use common sense when storing your firearm and ammunition and to always make sure they are not accessible to children or other unauthorized persons.
- **NEVER TRANSPORT A LOADED FIREARM.** When transporting your firearm, be sure it is unloaded and locked. Safe and secure transportation of your firearm is your responsibility.

## 1. YOUR SAFETY RESPONSIBILITIES

- **ALWAYS FOLLOW THE LAW!**

Many jurisdictions have laws that make it a crime to keep a firearm unlocked and in an area accessible to children or others. Keeping a firearm locked and unloaded when not in use is not only a common sense safety practice ... IT IS THE LAW. You must be familiar with all local, state, and federal laws regarding the safe storage and transportation of your firearm. Failure to know and follow the law may result in unauthorized access or use of your firearm by another. Obey all laws relating to the storage and transportation of firearms. Your local police department or gunshop can furnish you with available information on storing and/or transporting a firearm safely and legally.

- **YOUR FIREARM IS YOUR RESPONSIBILITY.**

You must prevent your firearm from being stolen or from being used by untrained or unqualified individuals. Keep it locked, unloaded and secured when not in use. Oviti omnis evero omnissum sitas ut lab in reium, quae eris quiatquo mil estrum que re diat.

# PPQ M2

## 2. AMMUNITION



- Use only commercially manufactured ammunition with internal ballistic pressure which is in strict accordance with the specifications of the Sporting Arms and Ammunition Manufacturers Institute (SAAMI). If you are uncertain, contact your ammunition supplier for verification.

### **⚠ WARNING:**

NEVER USE AMMUNITION NOT SPECIFICALLY DESIGNATED FOR USE IN YOUR FIREARM. FAILURE TO USE THE SPECIFIC CARTRIDGE INTENDED FOR USE IN THE PPQ PISTOL MAY CAUSE THE PISTOL TO JAM, FAIL TO FIRE OR EVEN GENERATE EXCESSIVE GAS PRESSURE WHICH CAN DAMAGE OR DESTROY THE PISTOL, CAUSE PERSONAL INJURY, DEATH OR PROPERTY DAMAGE.

## 2. AMMUNITION

- Use only ammunition specifically recommended by WALTHER® for your firearm.
- Never mix ammunition.
- Never use a cartridge not specifically designated for use in your firearm. Pressure from the wrong type of ammunition may exceed the capability of your firearm and may damage or even rupture your firearm.
- In some cases, a round of ammunition not specified for your handgun may fit into the chamber. Firing ammunition not specified on your handgun may cause it to rupture and cause serious injury or death to you or others.
- Always inspect your ammunition before using it. Never use dirty, corroded or damaged ammunition which can lead to a burst cartridge which may cause damage to the handgun and personal injury or death.
- “Plus-P” (+P) ammunition generates pressures in excess of the pressure associated with standard ammunition. Such pressures may affect the wear characteristics or exceed the margin of safety. Use of (+P) ammunition may require more frequent service.
- “Plus-P-Plus” (+P+) ammunition is not recommended for use in WALTHER® firearms. This marking on the ammunition designates that it exceeds established industry standards, but the designation does not represent defined pressure limits and therefore such ammunition may vary significantly as to the pressures generated and could be DANGEROUS.

### 3. OPERATING INSTRUCTIONS

#### 3.1 Functional Elements



# PPQ M2

## 3. OPERATING INSTRUCTIONS



### **WARNING:**

ALWAYS LEAVE THE MANUAL SAFETY ENGAGED UNTIL YOU INTEND TO FIRE.

### 3.2 Loaded chamber indicator

A slot at the top of the slide allows inspection of the chamber to see if it holds a round (Fig. 1).

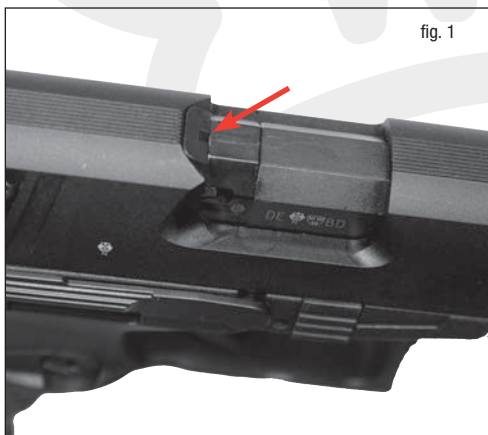


fig. 1



### 3. OPERATING INSTRUCTIONS

#### 3.3 Drop safety

The drop safety acts when the pistol is dropped from a variety of heights and positions. It prevents inadvertent firing of a round if the trigger has not been pulled.



#### CAUTION

DO NOT RELY ON MECHANICAL SAFETIES. KEEP YOUR MIND ON POSSIBLE HAZARDS AND AVOID SITUATIONS THAT COULD LEAD TO AN ACCIDENT.

#### 3.4 Magazine release

The magazine release is located at the side of the frame (Fig. 2). It can be converted for use by right-handers or left-handers (6.1).

##### Operation:

Keep your finger out of the trigger guard and do not touch the trigger until you are ready to fire. To remove the magazine, press the magazine release with the thumb of your shooting hand and pull out the magazine.



fig. 2

# PPQ M2

## 3. OPERATING INSTRUCTIONS

### 3.5 Slide stop

#### To lock the slide in the open position:

Keep your finger out of the trigger guard and do not touch the trigger. Remove the magazine. Then grasp the serrated sides of the slide from the rear with the thumb and fingers and draw the slide fully rearward. If there is a round in the chamber, it will be drawn out and ejected. Lock the slide in the open position by allowing the slide to move slightly forward from the rearmost position while pressing upward on the slide stop (Fig. 3).



#### To release the slide stop:

Using the thumb of your shooting hand, press down on the slide stop and allow the slide to ride forward.

## 4. OPERATING INSTRUCTIONS

### 4.1 Inspection before use

**⚠ WARNING:**

MAKE SURE THAT THE PISTOL IS UNLOADED (CHAMBER CLEARED, BARREL CLEAR OF ANY OBSTRUCTIONS, MAGAZINE EMPTY) FOR INSPECTION AND THAT THE SAFETY IS ENGAGED.

#### Functional inspection

1. Remove the magazine, and pull the slide all the way back to the stop. After the slide assembly is released, it must be returned to its front position by the recoil spring.
2. Insert the empty magazine, pull back the slide all the way back to the stop. The slide assembly must be arrested in the rear position.
3. Remove the magazine, and pull the slide assembly back a little. After the slide assembly is released, it must be returned to its front position by the recoil spring.
4. Insert the empty magazine, and pull back the slide all the way back to the stop. The slide assembly must be arrested in the rear position.
5. Press down on the slide stop. The recoil spring must return the slide assembly to its front position. Decock the hammer.

**⚠ WARNING:**

KEEP THE FIREARM POINTED IN A SAFE DIRECTION WHEN DECOCKING. FAILURE TO DO THIS CAN RESULT IN SERIOUS INJURY OR DEATH.

### 4.2 Inspection after use

**⚠ WARNING:**

MAKE SURE THAT THE PISTOL IS UNLOADED (CHAMBER AND BARREL MUST BE CLEAR) AFTER USE, THAT THE MAGAZINE IS EMPTY, AND THAT THE SAFETY IS ENGAGED. POINT MUZZLE IN A SAFE DIRECTION AND DECOCK THE HAMMER.

# PPQ M2

## 4. OPERATING INSTRUCTIONS

### 4.3 Loading

#### 4.3.1 Loading the magazine

Pull down the follower using the button at the side and slip a round under the magazine lips (Fig. 4). Do not use excessive force. Damaged magazine lips can cause malfunctions, rendering the weapon useless in an emergency. Hit the filled magazine against your hand to align the rounds. This prevents faulty feeding.

fig. 4



#### **⚠ WARNING:**

ALWAYS LOAD A ROUND INTO THE CHAMBER BY FEEDING IT FROM THE MAGAZINE. FAILURE TO DO THIS CAN RESULT IN SERIOUS INJURY OR DEATH. NEVER TRY TO LOAD THE PISTOL VIA THE OPEN EJECTION PORT.

#### **⚠ WARNING:**

THE PPQ .22 L.R. IS DESIGNED SO THAT IT IS ABLE TO FIRE WHEN THE MAGAZINE IS REMOVED. THUS, IF THE MAGAZINE IS REMOVED AND THERE IS A LOADED ROUND IN THE CHAMBER, IT WILL FIRE IF THE TRIGGER IS PULLED.

## 4. OPERATING INSTRUCTIONS

### 4.3.2 Loading the pistol

- Inspect the pistol as described in 4.1.
- Make sure the PPQ is pointed in a safe direction. Keep your finger outside the trigger guard and do not touch the trigger. Insert the loaded magazine into the magazine well of the pistol until it is locked in place. Make sure the magazine is locked in place by pulling down on the magazine butt plate. The magazine must not come out.
- Pull back the slide and then allow it to spring forward.

#### **WARNING:**

YOUR FIREARM IS NOW READY TO FIRE. KEEP YOUR FINGER OFF THE TRIGGER AND OUT OF THE TRIGGER GUARD UNTIL YOU ARE READY TO FIRE.

### 4.4 Firing

- Point the pistol in a safe direction. Keep your finger away from the trigger and outside the trigger guard until you intend to shoot.
- Take advantage of the PPQ's ergonomic form by gripping it as high up as possible. This will give you better control of the pistol when firing.
- While holding the grip firmly, place your finger flat on the trigger and squeeze it with steadily increasing force until the shot is fired. Upon firing, the slide moves rearward, thereby extracting and ejecting the spent cartridge case. The slide then returns forward, feeding the next cartridge from the magazine into the barrel chamber.
- After firing, take your finger off the trigger and keep it outside the trigger guard until you are ready to fire again. This sequence can be repeated until the last round has been fired.
- After the final shot, the magazine follower exerts upward pressure on the slide stop, causing it to engage the slide and hold it in the open position.

# PPQ M2

## 4. OPERATING INSTRUCTIONS

### 4.5 Magazine change

After the final shot the magazine follower exerts upward pressure on the slide stop, causing it to engage the slide and hold it in the open position.

- Depress the magazine release and remove the magazine.
- Load a new magazine.
- Pull back the slide and then allow it to spring forward or press the slide stop.

#### **⚠ WARNING:**

YOUR FIREARM IS NOW READY TO FIRE. KEEP YOUR FINGER OFF THE TRIGGER AND OUT OF THE TRIGGER GUARD UNTIL YOU ARE READY TO FIRE.

### 4.6 Unloading the pistol

- Point the pistol in a safe direction. Keep your finger out of the trigger guard and do not touch the trigger. Depress the magazine release and remove the magazine.
- Grasp the serrated sides of the slide from the rear with the thumb and fingers and draw the slide fully rearward. If there is a round in the chamber, it will be drawn out and ejected. Do not obstruct the ejection port because doing so can interfere with ejection of a cartridge.
- Lock the slide in the open position by allowing the slide to move slightly forward from the rearmost position while pressing upward on the slide stop.
- Make sure that no cartridge is left in the chamber. Make sure that the magazine well is empty.
- Unload the magazine by holding it with the bullet end of the cartridge pointing away from you and pressing each cartridge forward and out of the magazine.

#### **⚠ WARNING:**

MAKE SURE THAT THE PISTOL IS NOT LOADED (NO ROUND IN BARREL OR CHAMBER), THAT A SAFETY SNAP CAP (BLUE FLAG) IS INSERTED AND THAT THE MAGAZINE IS EMPTY.

## 4. OPERATING INSTRUCTIONS

### **⚠ WARNING:**

REMEMBER THAT ANY TIME YOU RELEASE THE SLIDE WHILE A MAGAZINE CONTAINING CARTRIDGES IS IN THE PISTOL, YOU WILL HAVE RELOADED THE CHAMBER AND THE PISTOL WILL BE CAPABLE OF FIRING.

### 4.7 Clearing misfires

- If a cartridge fails to fire, wait 60 seconds while keeping the muzzle pointed in a safe direction.
- Unload the pistol as described in 4.6.
- You are now able to safely check the barrel chamber and bore visually for any obstructions.

### **⚠ WARNING:**

MAKE SURE THAT THE PISTOL IS NOT LOADED (NO ROUND IN BARREL OR CHAMBER), THAT A SAFETY SNAP CAP (BLUE FLAG) IS INSERTED AND THAT THE MAGAZINE IS EMPTY.

### **⚠ WARNING:**

NEVER TRY TO USE A MISFIRED CARTRIDGE AGAIN.

### 4.8 Decocking the hammer

- Point the pistol in a safe direction. Keep your finger out of the trigger guard and do not touch the trigger. Depress the magazine release and remove the magazine.
- Grasp the serrated sides of the slide from the rear with the thumb and fingers and draw the slide fully rearward. If there is a round in the chamber, it will be drawn out and ejected. Do not obstruct the ejection port because doing so can interfere with ejection of a cartridge.
- Make sure that the pistol is not loaded (no round in barrel or chamber, magazine empty).
- Allow the slide to spring forward.
- Remember that any time you release the slide while a magazine containing cartridges is in the pistol, you will have reloaded the chamber and the pistol will be capable of firing.
- Squeeze trigger to decock the firearm.
- The firearm may now be transported safely.

#### **WARNING:**

KEEP THE FIREARM POINTED IN A SAFE DIRECTION WHEN DECOCKING. FAILURE TO DO THIS CAN RESULT IN SERIOUS INJURY OR DEATH.



### 5.1 Stripping/reassembly of main assemblies PPQ.22 4" / 5"

**⚠ WARNING:**

OBSERVE THE FOLLOWING STRIPPING INSTRUCTIONS VERY CLOSELY. NEVER DO ANYTHING BEYOND WHAT YOU ARE SPECIFICALLY INSTRUCTED TO DO IN THIS MANUAL. NEVER ALTER OR MODIFY THE PARTS IN YOUR FIREARM.

**⚠ WARNING:**

ALWAYS WEAR EYE PROTECTION THAT IS SPECIFIED FOR USE WITH FIREARMS. THIS ALSO APPLIES TO CLEANING AND MAINTENANCE.

**⚠ WARNING:**

BEFORE STRIPPING THE PISTOL, REMOVE THE MAGAZINE AND MAKE SURE THAT THE PISTOL IS NOT LOADED.

**⚠ WARNING:**

NEVER PULL THE TRIGGER WHEN THE SLIDE IS NOT MOUNTED AS THIS CAN CAUSE DAMAGE.

Do not strip down the pistol any further than shown in this manual. Further stripping, incorrect reassembly and non-compliance with the manual shall exempt the manufacturer from any warranty claims to injury or damage suffered.

# PPQ M2

## 5. STRIPPING, CLEANING, LUBRICATION, AND MAINTENANCE

### Stripping:

- Unload the pistol:  
Remove the magazine and lock the slide in the open position. The chamber and magazine well must be empty.
- Close the slide:  
Pull back the slide and guide it forward.
- Grip the takedown lever from above on both sides and push it downwards (Fig. 5).
- Pull the slide all the way back, lift it at the rear and let it glide forward (Fig. 6).
- Remove the spring guide rod, the buffer and the slide spring.
- Figure 7 shows the pistol stripped down to its main assemblies.



fig. 5



fig. 6

### Assembly:

- Reassembly is in the reverse order.

Install recoil spring: For running the slide onto the receiver, use the mounting pin no. 2668891



fig. 7

### 5.2. Stripping/reassembly of main assemblies, PPQ TACTICAL (with silencer adapter)



**WARNING:**

BEFORE CHANGING THE BARREL, REMOVE THE MAGAZINE AND MAKE SURE THAT THE WEAPON IS UNLOADED.

## 5. STRIPPING, CLEANING, LUBRICATION, AND MAINTENANCE

### Stripping:

- Unload the pistol:  
Remove the magazine and lock back the slide. The chamber and magazine well must be empty.
- Remove the silencer adapter and the barrel jacket using the open-ended wrench supplied (item no. 266 100 71).
- Grip the takedown lever from above on both sides and push it downwards (Fig. 5).
- Pull the slide all the way back, lift it at the rear and let it glide forward (Fig. 6).
- Remove the barrel, spring guide rod, buffer and spring.
- Fig. 7c shows the pistol stripped down to its main assemblies.



### Assembly:

- Replace the barrel, spring guide rod, buffer and spring.
- Attach the barrel jacket, making sure that the cam in the frame engages with the slot in the barrel jacket (Fig. 7a).
- Pull the slide from the front over the barrel and barrel jacket and place it on the guideway of the frame. Lock back the slide.
- Push the takedown lever back up to its original position.
- Attach the barrel jacket with the silencer adapter using the open-ended wrench supplied (item no. 266 100 71).

# PPQ M2

## 5. STRIPPING, CLEANING, LUBRICATION, AND MAINTENANCE

### 5.3 Cleaning

In order to keep the firearm functional and to extend its service life, the firearm should be cleaned and maintained at regular intervals.

**⚠ WARNING:** ENGAGE THE SAFETY, REMOVE THE MAGAZINE, OPEN THE SLIDE, AND INSPECT THE CHAMBER TO MAKE SURE IT IS EMPTY.

**⚠ WARNING:** BEFORE YOU CLEAN THE PISTOL, MAKE SURE THAT IT IS POINTED IN A SAFE DIRECTION AND IS NOT LOADED (MAGAZINE REMOVED, CHAMBER CLEARED, SAFETY SNAP CAP WITH BLUE FLAG INSERTED, BARREL CLEAR OF ANY OBSTRUCTIONS).

- Insert an EMPTY magazine and pull back the slide until it locks in the open position.
- Remove the magazine.
- Check that there is no ammunition in the pistol.
- Remove the slide as described in 5.1.
- Remove fouling from the slide, magazine lips, follower and frame with a brush and a cloth.
- Clean the barrel with a suitable bore solvent and a brush and then dry it with cleaning patches; always begin at the chamber. Repeat until barrel is clean.
- Apply a thin coat of oil to all metal parts. Reassemble the pistol and check for proper function.

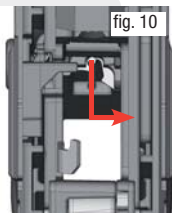
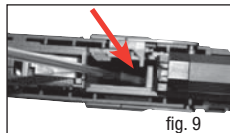
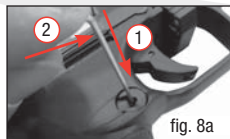
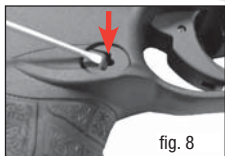
## 6. ADJUSTING THE PISTOL

### 6.1 Magazine release

The magazine release of the PPQ can be converted for use by right-handers or left-handers. For this purpose use the supplied allen wrench (item no. 416.70.04.3).

**⚠ WARNING:** BEFORE MAKING THE ADJUSTMENT REMOVE THE MAGAZINE AND MAKE SURE THAT THE PISTOL IS NOT LOADED.

- Unload the pistol:  
Remove the magazine and lock the slide in the open position.  
The chamber and magazine well must be empty.
- Strip the pistol as described in 5.1.
- Push the flat side of the allen wrench (item no. 416.70.04.3) into the opening in the counter support (Fig. 8).
- Using moderate force, lever the allen wrench in the direction of the muzzle until the counter support is loosened (do not press the magazine release at the same time) (Bild 8a).
- Remove the loosened counter support.
- You will find the spring mechanism of the magazine release in the magazine well (Fig. 9).
- Loosen the spring and push it onto the tip of the magazine release (Fig. 10).  
At the same time pull the magazine release sideways from the frame.
- Set the magazine release on the left or right side of the frame as required. MAKE SURE THAT THE SPRING ENGAGES WITH THE MAGAZINE RELEASE (FIG. 11).
- Push the counter support onto the magazine release until it locks into place.



# PPQ M2

## 6. ADJUSTING THE PISTOL

### 6.2 Sight

#### **⚠ WARNING:**

BEFORE MAKING THE ADJUSTMENT REMOVE THE MAGAZINE AND MAKE SURE THAT THE PISTOL IS NOT LOADED.

The rear sight allows you to correct the impact point for elevation and windage.

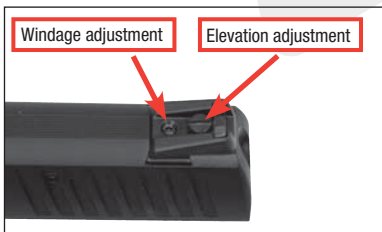
#### **Windage adjustment:**

To adjust, loosen the set screw (SW1.5) (allen key - 416.70.04.3) and move the rear sight in the direction you wish the group to move on the target.

For example, if your shots should group to the right, move the rear sight to the right.

#### **Elevation adjustment:**

The elevation is adjusted by means of a screw with click-stop settings on the rear sight. If your shots should group higher, turn the screw counterclockwise.



## 7. Special accessories



Open-end wrench  
art.-no.: 266 10071



Magazine  
art.-no.: 510.600



allen key  
art.-no.: 416.70.04.3



mounting pin  
art.-no.: 266 8891

## 8. Storage



**WARNING:** NEVER LEAVE A LOADED FIREARM UNATTENDED AND NEVER STORE YOUR FIREARM IN A LOADED POSITION.

Always store your pistol in an unloaded condition with the safety in the safe position. Keep the pistol and ammunition away from children and unauthorized persons. Firearms should be stored separately from ammunition.

# PPQ M2

## 9. REPAIR OF WALTHER® PISTOLS

### 9. Repair of WALTHER® Pistols



#### **CAUTION**

A FIREARM WHICH FAILS TO FUNCTION PROPERLY IS DANGEROUS. IT SHOULD BE SAFELY STORED IN A WAY THAT PREVENTS ITS USE UNTIL IT IS REPAIRED.



#### **WARNING:**

ONLY AN AUTHORIZED AND QUALIFIED GUNSMITH SHOULD INSPECT AND REPAIR YOUR FIREARM!

Do not repair or modify any parts on your WALTHER® PPQ.22 pistol. Failure to use a certified technician or OEM parts could lead to serious injury or death.



#### **WARNING**

THIS HANDGUN IS NOT EQUIPPED WITH A DEVICE THAT FULLY BLOCKS USE BY UNAUTHORIZED USERS. MORE THAN 200,000 FIREARMS LIKE THIS ONE ARE STOLEN FROM THEIR OWNERS EVERY YEAR IN THE UNITED STATES. IN ADDITION, THERE ARE MORE THAN A THOUSAND SUICIDES EACH YEAR BY YOUNGER CHILDREN AND TEENAGERS WHO GET ACCESS TO FIREARMS. HUNDREDS MORE DIE FROM ACCIDENTAL DISCHARGE. IT IS LIKELY THAT MANY MORE CHILDREN SUSTAIN SERIOUS WOUNDS OR INFLECT SUCH WOUNDS ACCIDENTALLY ON OTHERS. IN ORDER TO LIMIT THE CHANCE OF SUCH MISUSE, IT IS IMPERATIVE THAT YOU KEEP THIS WEAPON LOCKED IN A SECURE PLACE AND TAKE OTHER STEPS NECESSARY TO LIMIT THE POSSIBILITY OF THEFT OR ACCIDENT. FAILURE TO TAKE REASONABLE PREVENTATIVE STEPS MAY RESULT IN INNOCENT LIVES BEING LOST, AND IN SOME CIRCUMSTANCES MAY RESULT IN YOUR LIABILITY FOR THESE DEATHS.





## 10. WARRANTY

### 10. WARRANTY

WALTHER ARMS warrants that the enclosed firearm was originally manufactured free of defects in material, workmanship and mechanical function.

#### LIMITED ONE YEAR WARRANTY

This firearm is warranted to the original owner for one (1) year from date of purchase against defects in material and workmanship and is not transferable.

#### WHAT IS COVERED

Replacement parts and labor.

#### WHAT IS NOT COVERED

Parts, labor, and shipping charges to WALTHER ARMS for defective product and damages caused by abuse or failure to perform normal maintenance as well as any other expense. Consequential damages, or incidental expenses, including damage to property. WALTHER ARMS will not be responsible for unauthorized adjustments or modifications, use of defective or improper ammunition, corrosion, criminal misuse, negligence, resale, careless handling, and/or use under the influence of drugs or alcohol. Some states do not allow the exclusion or limitation of incidental or consequential damages, so the above limitation or exclusion may not apply to you. WALTHER ARMS reserves the right to determine what constitutes ordinary wear and tear.

#### WARRANTY CLAIMS

Warranty Claims and Repair for U.S. customers. Call WALTHER ARMS (479)-242-8500 ext. 507 and ask for the Service Department. If it is determined a return is necessary, you will be issued a Firearm Return Authorization Number. Write this number boldly on the box and return the product prepaid to WALTHER ARMS. Your name, address, phone number and a note with the model name/number, serial number, and explanation of the defect found must be included with the firearm. A copy of the original dated cash register receipt, or a copy of ATF Form 4473, indicating date of purchase must accompany the return.

# PPQ M2

## 10. WARRANTY

### IMPLIED WARRANTIES

Any implied warranties, including the implied warranties of merchantability and fitness for a particular purpose, are limited in duration to one (1) year from date of retail purchase. SOME STATES DO NOT ALLOW LIMITATIONS ON HOW LONG AN IMPLIED WARRANTY LASTS, SO THE ABOVE LIMITATIONS MAY NOT APPLY TO YOU. TO THE EXTENT ANY PROVISION OF THIS WARRANTY IS PROHIBITED BY FEDERAL, STATE, OR MUNICIPAL LAW, WHICH CANNOT BE PREEMPTED, IT SHALL NOT BE APPLICABLE. THIS WARRANTY GIVES YOU SPECIFIC LEGAL RIGHTS, AND YOU MAY ALSO HAVE OTHER RIGHTS, WHICH VARY FROM STATE TO STATE AND COUNTRY TO COUNTRY.

UNDER NO CIRCUMSTANCES SHALL WALTHER ARMS AND CARL WALTHER® GMBH BE RESPONSIBLE FOR INCIDENTAL OR CONSEQUENTIAL DAMAGES WITH RESPECT TO ECONOMIC LOSS, INJURY, DEATH OR PROPERTY DAMAGE, WHETHER AS A RESULT OF BREACH OF THIS WARRANTY, NEGLIGENCE OR OTHERWISE.



### **WARNING:**

WHEN TRANSPORTING A FIREARM, MAKE SURE THAT IT IS UNLOADED AND THAT THE SAFETY IS IN THE SAFE POSITION.

**Note:** All liability is excluded in the event that the instructions and warnings in this manual are not observed.

### CONTACT & SHIPPING

For owners within the United States

WALTHER ARMS, Inc.  
Attn: Service Dept  
7700 Chad Colley Boulevard  
Fort Smith, AR 72916

Phone: 1-479-242-8500 ext. 507

E-mail: [customerservice@waltherarms.com](mailto:customerservice@waltherarms.com)  
[www.WaltherArms.com](http://www.WaltherArms.com)



## 10. WARRANTY

- Call or e-mail the Customer Service Dept. for authorization and shipping instructions.
- ENSURE THAT THE FIREARM IS UNLOADED.
- DO NOT SHIP ANY AMMUNITION.
- Enclose a letter which includes your full name and address (no P.O. Boxes, please), daytime telephone number, e-mail address, the serial number of the firearm, and details of the problem experienced (stating the brand and type of ammunition used when the problem occurred) or work desired.
- Record the serial number before shipping and retain in a secure place.
- Please remove all custom parts and accessories, such as stocks, special sights, or holsters from your firearm before returning.
- Place the handgun in its original case or in a similarly secure container and pack securely.
- When returning a pistol, please include all magazines ensuring they are unloaded; they are important to the proper function of the handgun.
- The package must NOT bear any markings which indicate the identity of the contents.
- It is most important that you comply with federal, state, and local laws and regulations. These guidelines are meant to help, but you must seek assistance from the appropriate authorities if necessary.
- Do not attempt to ship a handgun via US Postal Service; only federally licensed dealers may ship a firearm by US Postal Service.



**WALTHER ARMS, INC.**

7700 CHAD COLLEY BOULEVARD  
FORT SMITH, AR 72916  
PHONE: 1-479-242-8500



Copyright © 2014 · Carl WALTHER GmbH · All rights reserved · Subject to change without notice.

8.510.90.02-03.2014 Rev.C

**WALTHERARMS.COM**